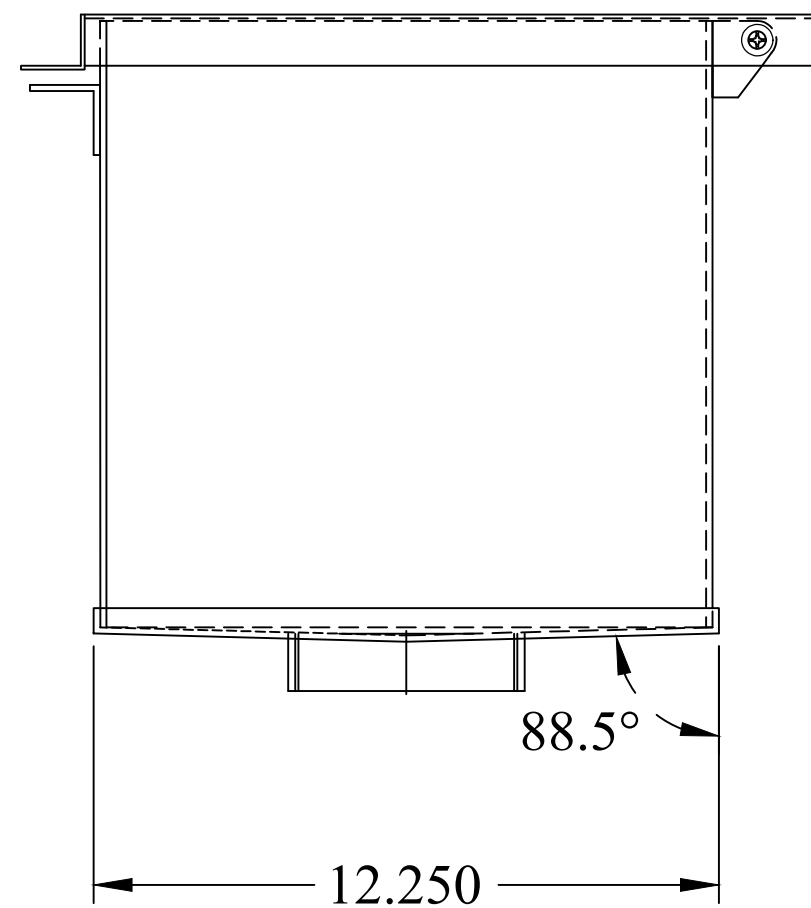
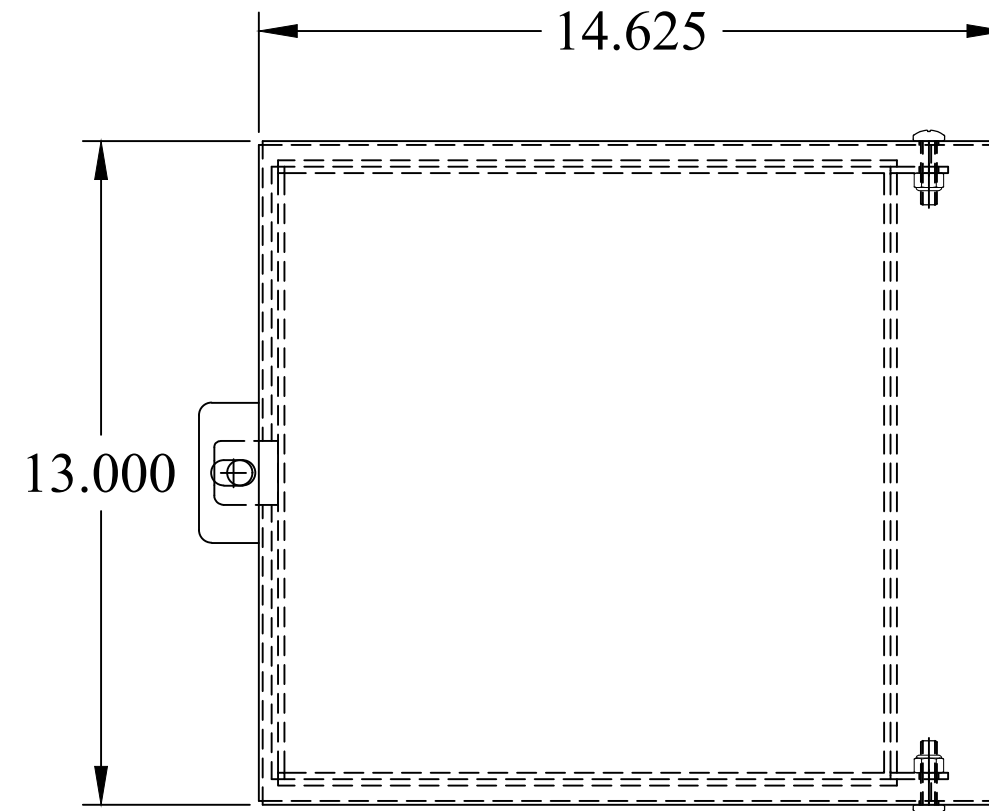
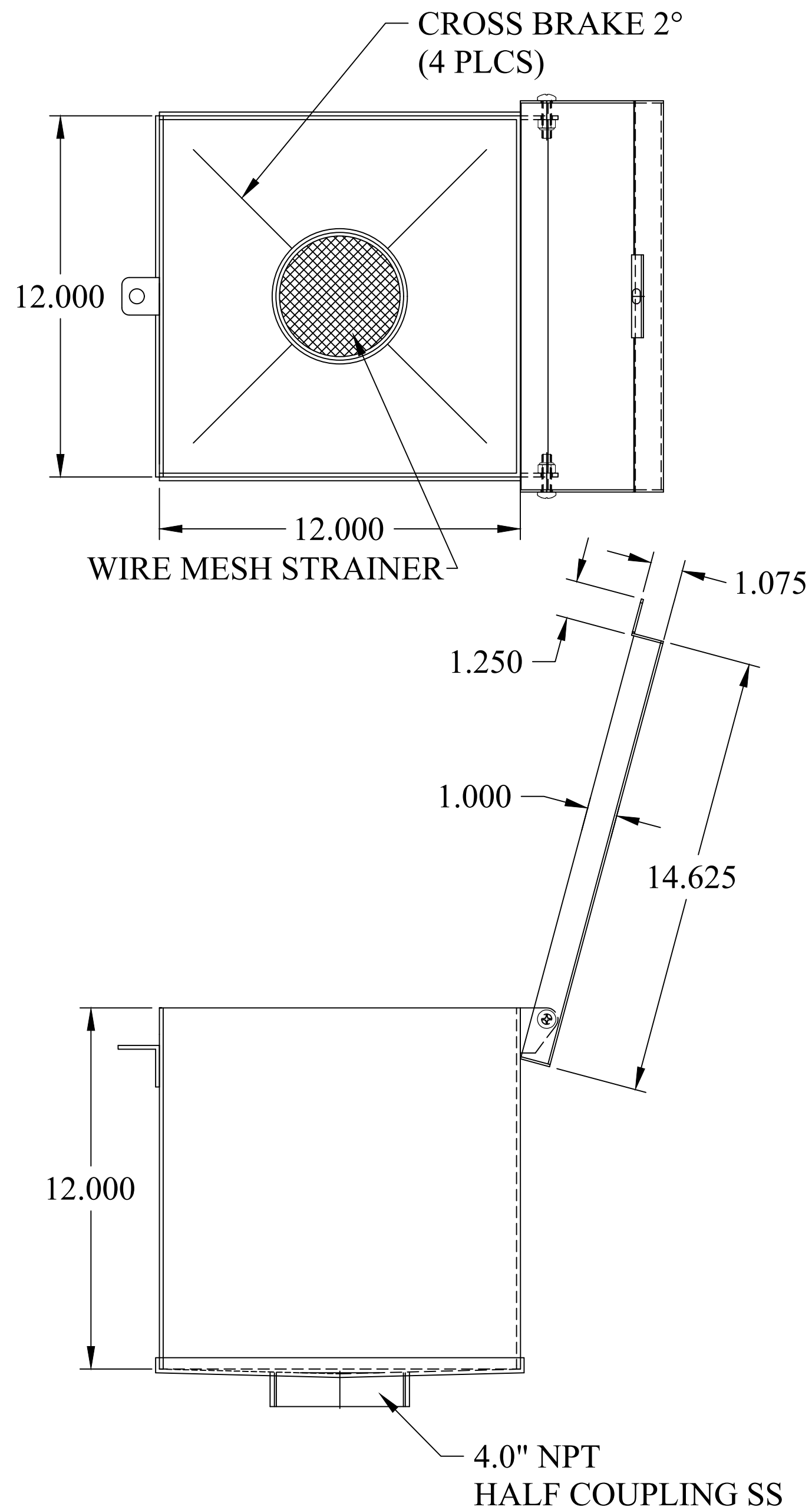
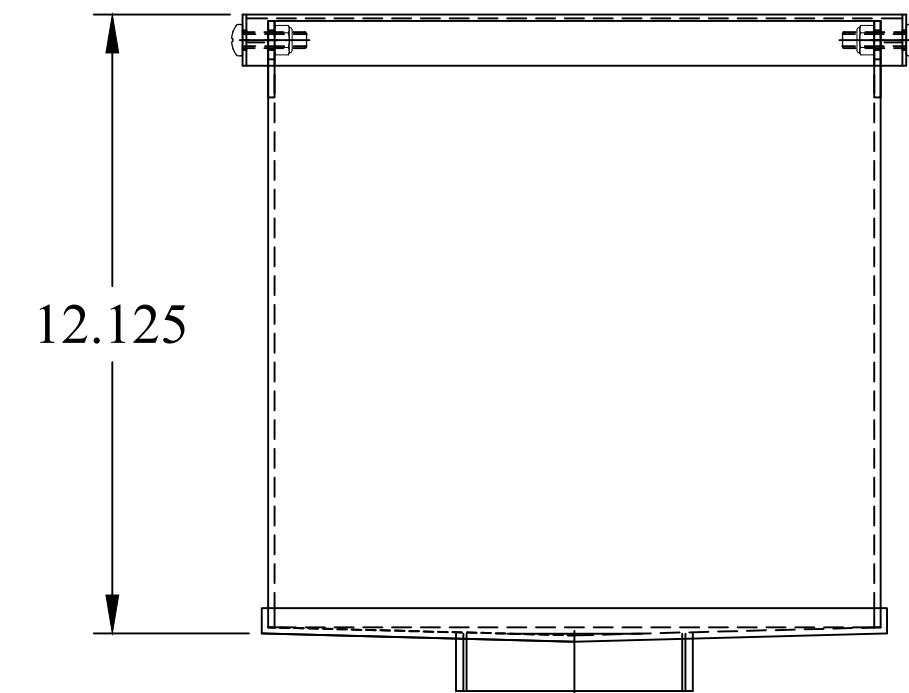


WASTE OIL DRAIN BASIN-SS



FEATURES:

- MATERIAL: HEAVY GUAGE 304 STAINLESS STEEL
- LOCKABLE FLIP-TOP COVER THAT HOLDS ITSELF IN THE UPRIGHT POSITION
- 7 GALLON CAPACITY
- 4.0" NPT HALF COUPLING (DRAIN)
- ONE (1) STAINLESS STEEL MESH STRAINER (DRAIN)
- MADE IN USA



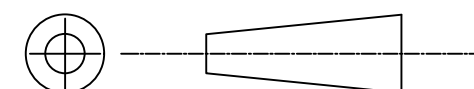
This document is proprietary and confidential. No part of this document may be disclosed in any manner to a third party without the prior written consent of Fairfield Industries

DO NOT SCALE DRAWING

UNLESS OTHERWISE SPECIFIED,
DIMENSIONS ARE IN INCHES.

TOLERANCES ON ANGLES: $\pm 1^\circ$
FRACTIONAL: $\pm 1/64$
2-PLACE DECIMALS: ± 0.05
3-PLACE DECIMALS: ± 0.005

THIRD ANGLE PROJECTION



FAIRFIELD INDUSTRIES, INC

4483 CHOPPEE ROAD, GEORGETOWN SC 29440

PHONE: 843-461-3894 FAX: 843-461-3907

DESCRIPTION

WODB-7-4

SIZE

SCALE

NTS

DWG. NO

A4220-1

C.REV

REV

DRAWN BY

A.CONKLIN

DATE **04/02/20**

SHT

1 OF 1