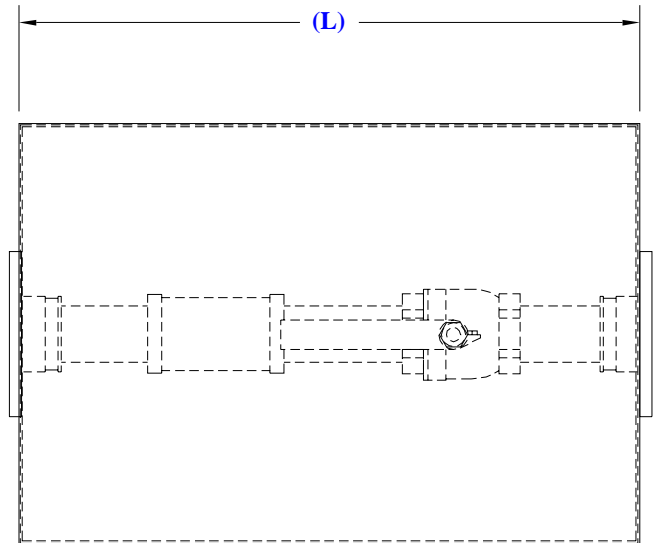


MARINA TRANSFER SUMPS

APPLICATION

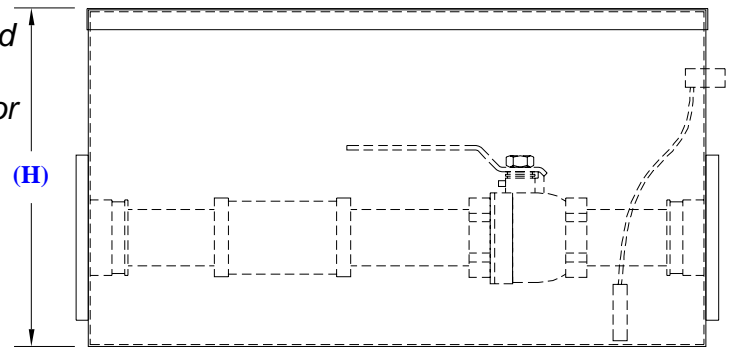
Fairfield Industries **Marina Transfer Sumps** allow for a secure attachment of gangway piping to floating docks.



TOP

FEATURES

- Welded stainless steel construction withstands corrosion.
- Water-tight cover
- Stainless steel internals prevent corrosion and leakage.
- Flexible entry boots allow a water-tight way for piping to enter and exit the sump.
- Internal leak detection sensor
- Made to order



SIDE

BUILT TO FOOTPRINT

MODEL: MARINA TRANSFER SUMP

FAIRFIELD INDUSTRIES, INC.

4483 CHOPPEE ROAD, GEORGETOWN, SC 29440

PHONE: 843-461-3894 FAX: 843-461-3907

www.fairfield-industries.com

Copyright© Fairfield Industries, Inc. All rights reserved.